

EQ RC40 Integrated Dispenser

IDH 2814025

PRODUCT DESCRIPTION

The Loctite EQ RC40 Integrated Semi-Automatic Dispenser combines both a dual channel dispense controller and a reservoir into a single unit. The controller provides two independent digital timing channels that provide control of two pneumatic outputs. These outputs can be used to control dispense valves or any other pneumatic device. The controller can be actuated either by a footswitch (included), fingerswitch or external start signal. It is capable of operating in a timed or continuous mode for dot or bead dispensing applications. The reservoir can accommodate 50ml, 250ml, 500gram, 1 liter, 2 kg and 200gram adhesive packages which deliver adhesive to dispensing valves.



Product Features

- Controls up to two dispense valves.
- Two independent digital timing channels.
- Delay setting allows positioning of an advancing slide prior to the opening of dispense valve.
- Low level sensor alarm provides warning for adhesive bottle replacement.
- Interface connections for customer's PLC to indicate reservoir low level condition and cycle complete signal.
- Easy-to-use keypad with LCD display screen for entering values.
- Simple menu-driven commands.
- Equipped with a 0 to 7 bar (0-100psi) pressure regulator.
- Analogue pressure gauge.
- Time range is adjustable from 0.01 to 99.99 seconds.
- Timed and continuous mode options can be selected.
- Manual button for purging adhesive from valves.

Technical Data:

- Electrical:
 - Input voltage 100 -240 VAC, 50-60 Hz.
 - Internal voltage: 24 VDC
 - Power connection includes plug ends for North America, Japan, Continental Europe, UK, Australia and China.
- Dimensions:
 - Width: 214mm
 - Depth: 357mm
 - Height: 363mm
- Weight: 5 kg.
- Operation temperature: + 10 Deg. C to +40 Deg. C. (+50 Deg. F. to +104 Deg. F.)



EQ RC40 Integrated Dispenser

IDH 2814025**Integrated Semi-Automatic Dispense System Includes:**

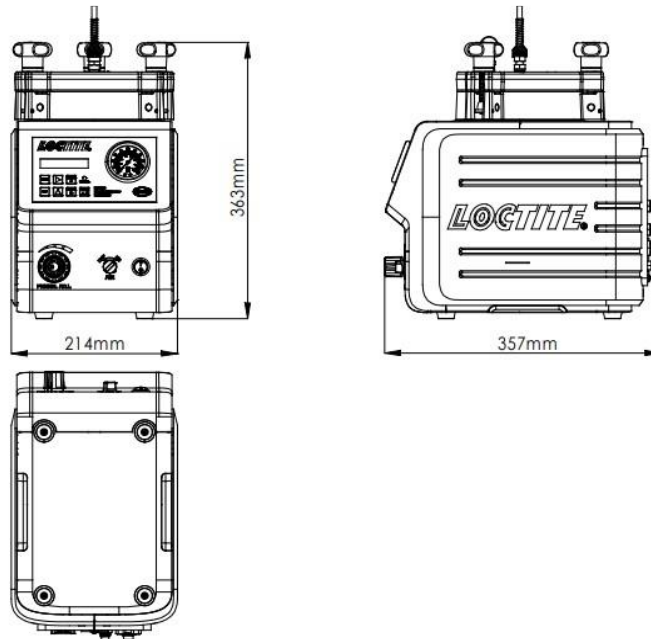
- Operation Manual
- Universal Power AC Adapter
- Footswitch
- Reservoir Tank Fitting: ¼ inch NPT x ¼ Inch Tubing
- Bottle Holder
- Anti-bubbler Fitting and Tube Kit
- ¼" NPT to 6 mm inlet supply line connector

Optional Accessories and System Components (sold separately):

- Stationary Dispense Valve. (1/4" feedline), item # 97113 (IDH88644)
- Stationary Dispense Valve. (3/8" feedline), item # 97114 (IDH88645)
- Light Cure Dispense Valve, item # 98009 (IDH218280)
- Cyanoacrylate Dispense Valve, item # 98013 (IDH318654)
- Pistol Grip Trigger, (IDH1176444)
- Hand-held LV Applicator, item # 97130 (IDH444643)

Recommended Spare Parts / Accessories:

- Air Filter / Regulator, US region - item # 985397 (IDH478603)
- Air Filter / Regulator, EU/Asia region - item # 97120 (IDH88649)
- Reservoir Tank Fitting: ¼ inch NPT x ¼ Inch Tubing, item # 8900064 (IDH360636)
- Footswitch, item # 97201 (IDH88653)
- Feedline tubing, ¼ inch O.D. black PE lined, 10mtr/33ft length, item # 97972 (IDH142646)
- Tank Lid O-ring for reservoir, item # 981880 (IDH478505)
- Pressure safety relief valve, item # 992641 (IDH360462)
- Anti-bubbler Kit, (2 adapters & 2 sleeves), item # 984687 (IDH478669)
- Silicone grease, 6gram tube, item # 997569 (IDH88722)

Dimensions:

Note
The data contained herein are furnished for information only and are believed to be reliable. We cannot assume responsibility for the results obtained by others over whose methods we have no control. It is the user's responsibility to determine suitability for the user's purpose of any production methods mentioned herein and to adopt such precautions as may be advisable for the protection of property and of persons against any hazards that may be involved in the handling and use thereof. In light of the foregoing, Henkel Corporation specifically disclaims all warranties expressed or implied, including warranties of merchantability or fitness for a particular purpose, arising from sale or use of Henkel Corporation's products. Henkel Corporation specifically disclaims any liability for consequential or incidental damages of any kind, including lost profits. The discussion herein of various processes or compositions is not to be interpreted as representation that they are free from domination of patents owned by others or as a license under any Henkel Corporation patents that may cover such processes or compositions. We recommend that each prospective user test his proposed application before repetitive use, using this data as a guide. This product may be covered by one or more United States or foreign patents or patent applications.

Trademark usage except as otherwise noted, all trademarks in this document are trademarks of Henkel Corporation in the U.S. and elsewhere. © denotes a trademark registered in the U.S. Patent and Trademark Office.